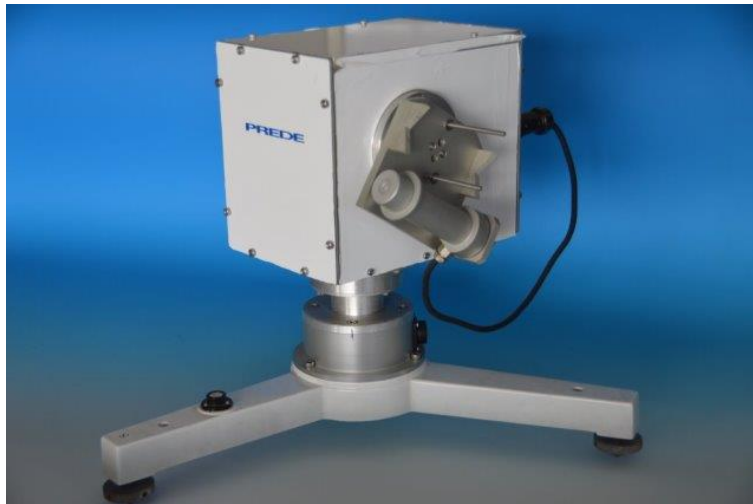


Solar Tracker *ASTX-5*



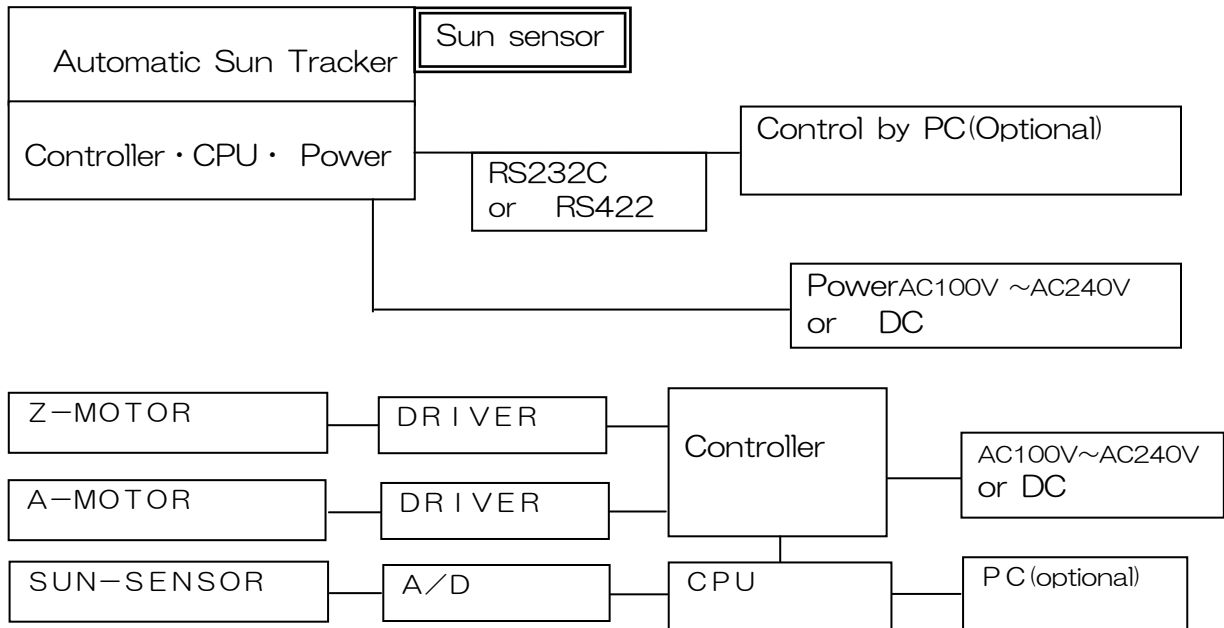
Summary

*This instrument is a automatic sun tracker for using the pyr heliometer.
Normal solar trackin is calculated mode with the built in CPU,
But when the sun appears to improve the tracking accuracy change
to San sensor mode.
Low cost lightweight compact*

PREDE PREDE CO., LTD.

*Research Center: Sasamoto Bldg 26-8 Kamidaira 1-chome Fussa-shi 197-0012 Tokyo Japan
TEL+81-42-539-3755 FAX +81-42-539-3757
URL <http://www.prede.com/> e-mail sales@prede.com

Diagram



Specification

Payload: Pirheriometer

Range of movement

Zenith : $-30^{\circ} \sim 120^{\circ}$ (0=zenith)

Direction : $\pm 180^{\circ}$ (0=South)

Tracking method : The solar orbit automatically calculated by the CPU

Corection : Sun sensor

By using the direct solar can be corrected with automatic sun tracking.

Calculation mode when the direct solar does not appear.

Drive method : 2axis drive pulse motor and worm gear

Control : CPU

communication : RS-232C

Power : AC100V~AC240V 2A50/60HZ (又は、DC)

Cable : 10m

Material : Aluminum, SUS

Surface treatment : White paint, alumite

Weight : approx. 11kg

Optional : GPS

Mounted sensor : PyrheriometerCHP1, PCH-2 etc

Other Product: Solar Tracker ASTX-2 (Pay load approx 10kg)

