

Quantum sensor

PAR-01D (L)



PAR-01D



PAR-01DL

Summary

This sensor is Low cost photon sense. This is used mainly in the, Society of Agricultural Meteorology

I measure the quantity of the photon of solar spectrum 400-700nm in the photosynthesis action of the plant.

The sensor part has high spectral sensitivity characteristics by the combination of silicon sensor and optics filter.

Diffuser catch solar light correctly.

Specification

Wave length range : 400nm~700nm
Sensor : Silicon photo diode
Sensing Method : Diffuser
Sensitivity : 0~3,000 $\mu\text{mol} \cdot \text{m}^{-2} \cdot \text{s}^{-1}$ / 0~10mV
Azimuth error : <5% (<60°)
Grassdome : BK7
Cable : 1.0m
Weight : 約0.2kg PAR-01D (ケーブル : 0.3kg)
約0.1kg PAR-01DL (ケーブル : 0.3kg)
Water proof : IP67
Body : アルミ
Dimension : $\phi 80 \times 50$ (PAR-01D)
 $\phi 34 \times 53$ (PAR-01DL)
Calibration : 1000W light source



株式会社 プリード

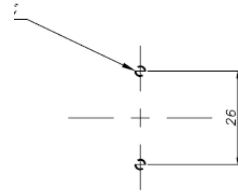
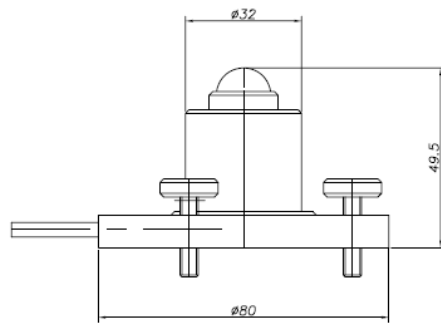
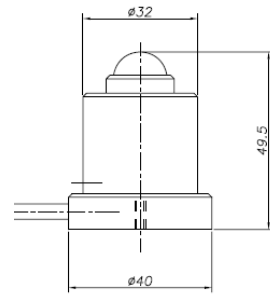
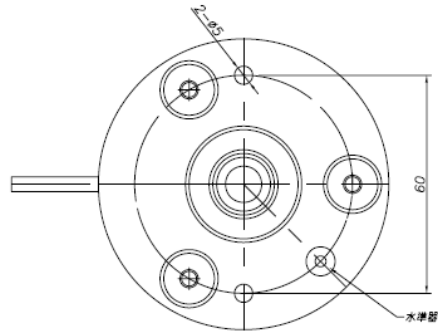
キップ&ゾーネン日射計 ギル社超音波風速計 メットワン社 他

本社 〒197-0802東京都あきる野市草花1117

技術研究所 〒197-0012東京都福生市加美平1-26-8笹本ビル

TEL042-539-3755 FAX042-539-3757

URL: <http://www.prede.com/> E-mail: sales@prede.com



光量子 PAR-01DL

